

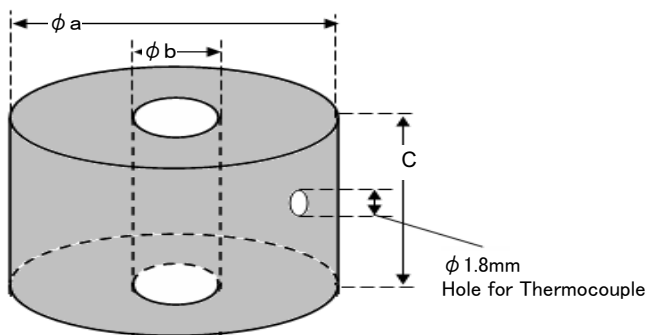
# CONSUMABLES CATALOG

 FUJI ELECTRONIC INDUSTRIAL CO., LTD.

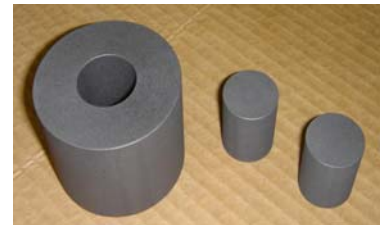
e-mail : [info-sps@fdc.co.jp](mailto:info-sps@fdc.co.jp)

**FUJI-SPS**  
Pioneer of SPS Technology

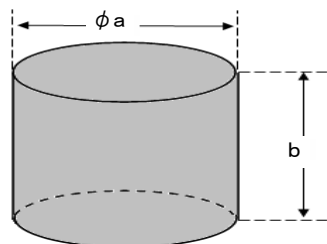
Name		Dimension(mm)			Remarks	Code No	Amount
		Os (a)	Is (b)	High (c)			
SPS Gr Die (Standard)	For $\phi$ 10	$\phi$ 30	/ $\phi$ 10	x 30	For SPS211Lx, 511, 515	HD-01	1 pc
		$\phi$ 30	/ $\phi$ 10.5	x 30	" (For Carbon Paper)	HD-02	1 pc
	For $\phi$ 15	$\phi$ 30	/ $\phi$ 15	x 30	"	HD-03	1 pc
		$\phi$ 30	/ $\phi$ 15.5	x 30	" (For Carbon Paper)	HD-04	1 pc
	For $\phi$ 20	$\phi$ 40	/ $\phi$ 20	x 40	"	HD-05	1 pc
		$\phi$ 40	/ $\phi$ 20.5	x 40	" (For Carbon Paper)	HD-06	1 pc
		$\phi$ 50	/ $\phi$ 20	x 40		HD-07	1 pc
		$\phi$ 50	/ $\phi$ 20.5	x 40	For Carbon Paper	HD-08	1 pc
	For $\phi$ 30	$\phi$ 70	/ $\phi$ 30	x 60		HD-09	1 pc
		$\phi$ 70	/ $\phi$ 30.5	x 60	For Carbon Paper	HD-10	1 pc
SPS Gr Die (High Strength)	For $\phi$ 10	$\phi$ 30	/ $\phi$ 10	x 30	For SPS211Lx, 511, 515	KD-01	1 pc
		$\phi$ 30	/ $\phi$ 10.5	x 30	" (For Carbon Paper)	KD-02	1 pc
	For $\phi$ 15	$\phi$ 30	/ $\phi$ 15	x 30	"	KD-03	1 pc
		$\phi$ 30	/ $\phi$ 15.5	x 30	" (For Carbon Paper)	KD-04	1 pc
	For $\phi$ 20	$\phi$ 40	/ $\phi$ 20	x 40	"	KD-05	1 pc
		$\phi$ 40	/ $\phi$ 20.5	x 40	" (For Carbon Paper)	KD-06	1 pc
		$\phi$ 50	/ $\phi$ 20	x 40		KD-07	1 pc
		$\phi$ 50	/ $\phi$ 20.5	x 40	For Carbon Paper	KD-08	1 pc
	For $\phi$ 30	$\phi$ 70	/ $\phi$ 30	x 60		KD-09	1 pc
		$\phi$ 70	/ $\phi$ 30.5	x 60	For Carbon Paper	KD-10	1 pc



SPS Sintering Die



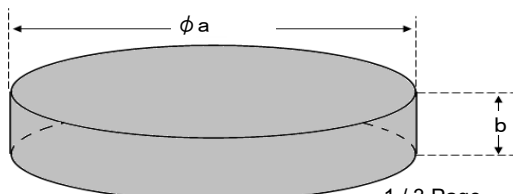
Name	Dimension(mm)		Remarks	Code No	Amount
	Os (a)	High (b)			
SPS Gr Punch (Standard)	$\phi$ 10	x 20	For HD-01, 02	HP-01	1 pc
	$\phi$ 15	x 20	For HD-03, 04	HP-02	1 pc
	$\phi$ 20	x 20	For HD-05, 06, 07, 08	HP-03	1 pc
	$\phi$ 20	x 25	For HD-05, 06, 07, 08	HP-04	1 pc
	$\phi$ 30	x 30	For HD-09, 10	HP-05	1 pc
SPS Gr Punch (High Strength)	$\phi$ 10	x 20	For KD-01, 02	KP-01	1 pc
	$\phi$ 15	x 20	For KD-03, 04	KP-02	1 pc
	$\phi$ 20	x 20	For KD-05, 06, 07, 08	KP-03	1 pc
	$\phi$ 20	x 25	For KD-05, 06, 07, 08	KP-04	1 pc
	$\phi$ 30	x 30	For KD-09, 10	KP-05	1 pc



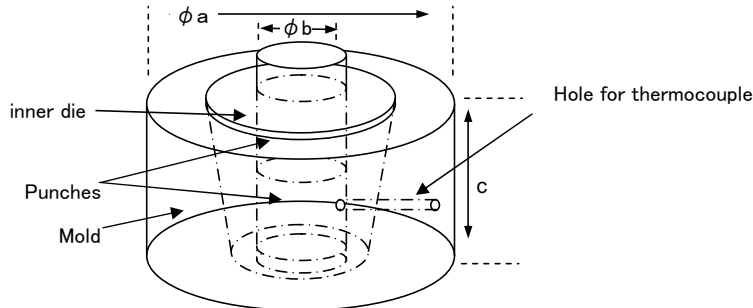
SPS Sintering Punch



Name	Dimension(mm)		Remarks	Code No	Amount
	Os (a)	High (b)			
SPS Gr Spacer (Standard)	$\phi$ 50	x 30		SS-01	1 Sheett
	$\phi$ 60	x 30		SS-02	1 Sheett
	$\phi$ 80	x 20		SS-03	1 Sheett
	$\phi$ 80	x 40		SS-04	1 Sheett
	$\phi$ 100	x 20		SS-05	1 Sheett
	$\phi$ 120	x 20		SS-06	1 Sheett
	$\phi$ 150	x 20		SS-07	1 Sheett
	$\phi$ 40/60x60mm		Terraced spacer for SPS-211Lx	SS-08	1 Sheett



Name			Dimension(mm)			Remarks	Code No	Amount
			outΦ (a)	in Φ (b)	High (C)			
WC/Co Mold	Set	For φ 10	φ 30	φ 10	20	Outer/Inner die, 2Punches	WC-01	1 set
		For φ 20	φ 55	φ 20	40	"	WC-02	1 set
	Punch	φ 10	φ 10	-	10		WC-03	1 pc
		φ 20	φ 20	-	20		WC-04	1 pc
	Spacer		φ 40	-	8	2sheets/1set For 20/50kN machine	WC-05	1 set
			φ 60	-	10	2sheets/1set For 100kN machine	WC-06	1 set
			φ 90	-	25	2sheets/1set For 200/250kN machine	WC-07	1 set



Name	Dimension (mm)			Remarks	Code No	Amount	
	Type	Φ	Long				
Thermocouple	sheath K	φ 1.6	L=400	For SPS211Lx, 511, 515S	Recommend the simultaneous exchange of T.C. Port Seal (ES-09)	ES-01	1 set
	sheath K	φ 1.6	L=500	For SPS25, 1000, 2000series		ES-02	1 set
	sheath K	φ 1.6	L=700	For SPS3.20, 5.40, 7.40series		ES-03	1 set
	R	φ 1.6	L=300	For SPS211Lx, 511, 515S with Al <sub>2</sub> O <sub>3</sub> Protecting Tube, Hermetic seal, compensation lead wire, Insulating Cap	ES-04	1 set	
	R	φ 1.6	L=500	For SPS25, 1000, 2000series with Al <sub>2</sub> O <sub>3</sub> Protecting Tube, Hermetic seal, compensation lead wire, Insulating Cap	ES-05	1 set	
	R	φ 1.6	L=700	For SPS3.20, 5.40, 7.40series with Al <sub>2</sub> O <sub>3</sub> Protecting Tube, Hermetic seal, compensation lead wire, Insulating Cap	ES-06	1 set	
Insulating Cap	-	-	-	For R Type Thermocouple	ES-07	1 pc	
Compression Fitting (Thermocouple Port)	-	-	-	For φ 1.6KType Sheath Thermocouple	ES-08	1 pc	
T.C. Port Seal	-	-	-	When K type thermo-couples are exchanged, we will Recommend the simultaneous exchange of T.C. Port Seal (ES-09)	ES-09	1 pc	
Hermetic Seal	-	-	-		ES-10	1 pc	
Socket for Hermetic Seal	-	-	-		ES-11	1 pc	
Torque Limiter Assembly	-	-	-	For SPS511, 515S Chamber drive parts	ES-12	1 pc	
Friction Plate	-	-	-	4Sheets/1set For Torque Limiter(Slide Plate)	ES-13	1 set	

Thermocouple



Compression Fitting (Thermocouple Port)



Hermetic Seal



Torque Limiter Assembly



Name	Dimension (mm)	Remarks	Code No	Amount
Carbon Paper	550 × 330 × 0.2mm	6sheets/1set	CP-01	1 set
	550 × 330 × 0.4mm	6sheets/1set	CP-02	1 set
	550 × 330 × 1.0mm	6sheets/1set	CP-03	1 set
Carbon Felt	1000 × 1000 × 5mm		CF-01	1sheet

Name	Dimension (mm) , Capacity, etc	Remarks	Code No	Amount	
Quartz Window Glass	φ 25LAB	Size of Glass φ 48 × 6	For SPS511, 515S Chamber side	OW-01	1 pc
	φ 50LAB	Size of Glass φ 73 × 8	" Chamber front	OW-02	1 pc
	φ 50	Size of Glass φ 80 × 8	For SPS25, 1000, 2000series Chamber side	OW-03	1 pc
	φ 80	Size of Glass φ 110 × 10	" Chamber front	OW-04	1 pc
	φ 100	Size of Glass φ 130 × 10	For SPS3.20series Chamber side	OW-05	1 pc
	φ 50JR	Size of Glass φ 70 × 8	For SPS3.20series Chamber front For SPS-211Lx View port	OW-06	1 pc
Probe Sensor	WP-02	For Pirani Vacuum Gauge	For SPS3.20, 5.40, 7.40series	OS-01	1 pc
	WI-T15	For Ionization Vacuum Gauge	For SPS25, 1000, 2000, 3.20, 5.40, 7.40series	OS-02	1 pc
	P-9	For Pirani Vacuum Gauge	For SPS511, 515S, 1000series	OS-03	1 pc
	TRP-11-15	For Pirani Vacuum Gauge Equivalent to TRP-10-15	For SPS211Lx, 511, 515S, 1000series	OS-13	1 pc
Oil for Vacuum Pump	R-4	2ℓ/can (For MB)	For SPS25, 1000, 2000, 3.20, 5.40, 7.40series	OS-04	1 can
	R-7	2.2ℓ/can (For RP)	"	OS-05	1 can
	SMR100	500mℓ/can 2can(1ℓ)/set	For SPS511, 515S	OS-06	1 set
	Ultragrade19/1ℓ		For SPS511, 515S	OS-16	1 can
Electrode Plate	For 5t	Lower Electrode Plate	For SPS511, 515S	OS-07	1 pc
	For 2t	Lower Electrode Plate	For SPS211Lx	OS-08	1 pc
		Upper Electrode Plate	For SPS211Lx	OS-09	1 pc
Ram Cover	For 5t	Upper φ 80	For SPS511, 515S	RC-01	1 pc
		Lower φ 80	"	RC-02	1 pc
	For 10/20t	Upper φ 120	For SPS1000, 2000series	RC-03	1 pc
		Lower φ 120	"	RC-04	1 pc
	For 25 Series	Upper φ 150	For 25series	RC-05	1 pc
		Lower φ 150	"	RC-06	1 pc
	For 20t	Upper φ 150	For SPS3.20series	RC-07	1 pc
		Lower φ 150	"	RC-08	1 pc
	For 50t	Upper φ 230	For SPS5.40series	RC-09	1 pc
		Lower φ 230	"	RC-10	1 pc
	For 100t	Upper φ 250	For SPS7.40series	RC-11	1 pc
		Lower φ 250	"	RC-12	1 pc
	For 2t	Upper	For SPS211Lx	RC-13	1 pc
		Lower	"	RC-14	1 pc
Water Cooled Plate	For 10/20t	Upper φ 120	For SPS1000, 2000series	SB-01	1 pc
		Lower φ 120	"	SB-02	1 pc
	For 25 Series	Upper φ 150	For 25series	SB-03	1 pc
		Lower φ 150	"	SB-04	1 pc
	For 20t	Upper φ 150	For SPS3.20series	SB-05	1 pc
		Lower φ 150	"	SB-06	1 pc
	For 50t	Upper φ 230	For SPS5.40series	SB-07	1 pc
		Lower φ 230	"	SB-08	1 pc
	For 100t	Upper φ 250	For SPS7.40series	SB-09	1 pc
		Lower φ 250	"	SB-10	1 pc

Name	Model	Remarks	Gauge	Code No	Amount
O Ring	G-220	For SPS511, 515S	For Upper/Lower chamber opening part	OR-01	1 pc
	G-60	For SPS511, 515S	For Chamber front Quartz Window " φ 50LAB"	OR-02	1 pc
		For SPS25, 1000, 2000series	For Chamber side Quartz Window " φ 50"		
	G-35	For SPS511, 515S	For Chamber side Quartz Window " φ 25LAB"	OR-03	1 pc
	G-90	For SPS25, 1000, 2000series	For Chamber front Quartz Window " φ 80"	OR-04	1 pc
		For SPS3.20series	For Chamber side Quartz Window " φ 80"		
	V-325	For SPS25, 1000, 2000series	For Vacuum chamber opening part	OR-05	1 pc
	P-20	For SPS25, 1000, 2000, 3.20, 5.40, 7.40series	For Water cooled plate	OR-06	1 pc
	P-16	For SPS3.20series	For Water cooled plate	OR-07	1 pc
	V-480	For SPS3.20series	For Upper/Lower chamber opening part	OR-08	1 pc
	G-110	For SPS3.20series	For Chamber front Quartz Window " φ 100"	OR-09	1 pc
	V-585	For SPS5.40series	For Upper/Lower chamber opening part	OR-10	1 pc
	V-640	For SPS7.40series	For Upper/Lower chamber opening part	OR-11	1 pc
P-190	For SPS211Lx	For Chamber door	OR-12	1 pc	
G-55	For SPS211Lx	For Chamber front Quartz Window	OR-13	1 pc	

- Please contact us for further information.
- We are able to supply customized specifications, such as molds for FGMS and so on.
- Specifications are subject to change without notice.